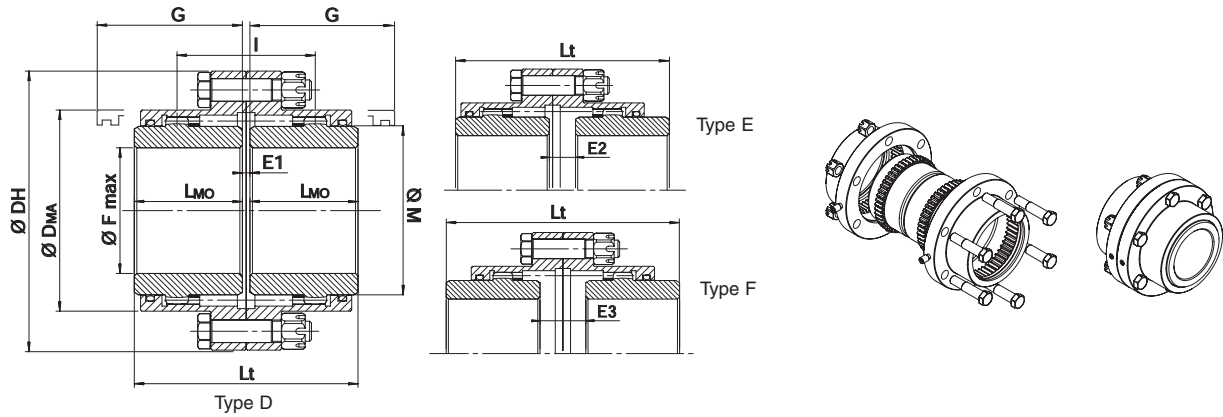


SITEX® ST type “CF” D-E-F

Double-cardanic crowned gear coupling. Allows for axial, angular, and radial shaft misalignment.



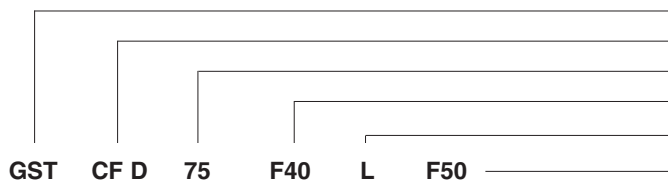
Type	Dimensions [mm]												Technical data					
	F _{max} [mm]	DH	D _{MA}	M	L _{MO}	G*	Type D		Type E		Type F		Torque [Nm]		n _{max} [min ⁻¹]	ΔK _w [°]	**Moment of inertia x10 ⁻⁴ kg·m ²	**W [kg]
							Lt	E ₁	Lt	E ₂	Lt	E ₃	T _{KN}	T _{Kmax}				
50	50	111	82,5	69	43	58	89	3	91	5	93	7	1800	4200	6000	2 x 0,5°	50	4
60	60	142	104,5	85	50	68	103	3	108	8	113	13	2700	6400	4620	2 x 0,5°	120	8
75	75	168	130,5	107	62	87	127	3	138	14	149	25	5500	13000	4140	2 x 0,5°	320	13
95	95	200	158,5	133	76	95	157	5	164	12	171	19	8600	21000	4000	2 x 0,5°	850	26
110	110	225	183,5	152	90	120	185	5	204	24	223	43	13500	34000	3860	2 x 0,5°	1620	37
130	130	265	211,5	178	105	130	216	6	237	27	258	48	22200	54000	3720	2 x 0,5°	3760	59
155	155	300	245,5	209	120	135	246	6	272	32	298	58	34200	83000	3190	2 x 0,5°	7280	91
170	170	330	275	234	135	155	278	8	307	37	336	66	43500	101000	2900	2 x 0,5°	12260	123
190	190	370	307	254	250	195	508	8	550	50	592	92	69200	156000	2570	2 x 0,5°	20990	170
210	210	406	335	279	175	220	358	8	403	53	448	98	82500	196000	2330	2 x 0,5°	34010	234
230	230	438	367	305	190	236	388	8	438	58	488	108	150500	349000	2150	2 x 0,5°	50520	295
280	280	505	423	355	220	273	450	10	512	72	574	134	198200	480000	1800	2 x 0,5°	103200	455
325	325	580	495	400	250	-	512	12	-	-	-	-	275000	551000	1200	2 x 0,5°	206000	685
370	370	630	545	450	275	-	562	12	-	-	-	-	381000	762000	980	2 x 0,5°	335000	920
400	400	700	589	490	305	-	622	12	-	-	-	-	492000	984000	900	2 x 0,5°	533000	1210
430	430	760	649	550	330	-	672	12	-	-	-	-	658000	1315000	800	2 x 0,5°	835000	1590
475	475	825	714	580	355	-	722	12	-	-	-	-	835000	1669000	700	2 x 0,5°	128400	2060

* = required space to align the coupling or replace the sealing ring
 ** = considering hub without bore

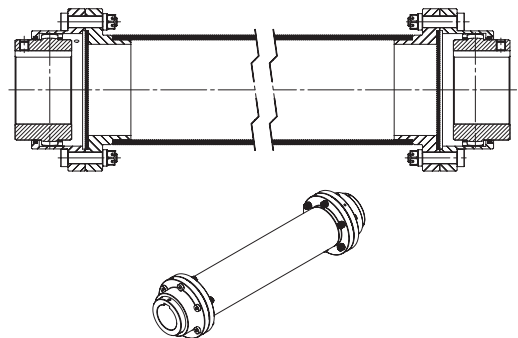
Maximum static misalignment for a correct mounting $\Delta K_w = 2 \times 1^\circ$
 Seal flange sizes from 325 to 475

T _{KN}	Coupling nominal torque	Nm
T _{Kmax}	Coupling maximum torque	Nm
n _{max}	Maximum rpm	min ⁻¹
ΔK _w	Maximum angular misalignment	°
W	Weight	kg

Order form



Special execution with intermediate shaft



SITEX® ST coupling
 Type D
 Coupling size
 Hub bore 1 end execution [mm]
 Long hub
 Hub bore 2 end execution [mm]