

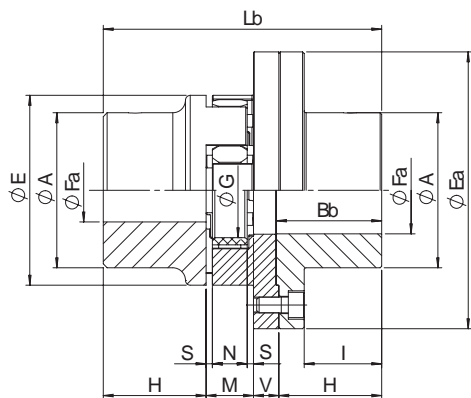
## “GRF” flange series

This series, with flanges, has been developed for applications on heavy machinery and to combine different shafts and flanges solutions.

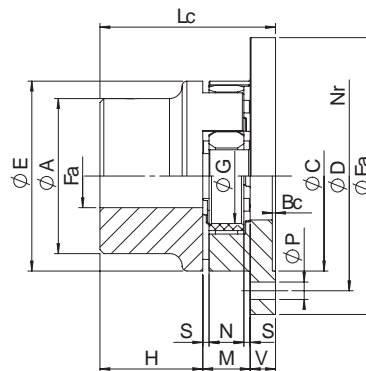
- Shaft-shaft: using two hubs type “BF”, allows the replacement of

the elastic element without traversing of either motor-machine or driven-machine.

- Shaft-flange: using one hub type “CF” and one type “GR”.
- Flange-Flange: using two hubs type “CF”.



**BF**



**CF**

Type	Fa min [mm]	Fa max [mm]	E [mm]	Ea [mm]	A [mm]	C [mm]	D [mm]	Nr [mm]	P [mm]	G [mm]	H [mm]	Bb [mm]	Bc [mm]	I [mm]	V [mm]	M [mm]	S [mm]	N [mm]	Lb [mm]	Lc [mm]
19/24	6	19	40	65	40/32	40	50	5	4,5	18	25	26	1,5	17	8	16	2	12	74	49
24/32	8	24	55	80	55/40	55	65	5	4,5	27	30	31	1,5	22	8	18	2	14	86	56
28/38	10	28	65	100	65/48	65	80	6	6,5	30	35	36	1,5	25	10	20	2,5	15	100	65
38/45	12	38	80	115	66	80	95	6	6,5	38	45	46	1,5	35	10	24	3	18	124	79
42/55	14	42	95	140	75	95	115	6	9	46	50	51	2	38	12	26	3	20	138	88
48/60	15	48	105	150	85	105	125	8	9	51	56	57	2	44	12	28	3,5	21	152	96
55/70	20	55	120	175	98	120	145	8	11	60	65	66	2	49	16	30	4	22	176	111
65/75	22	65	135	190	115	135	160	10	11	68	75	76	2	59	16	35	4,5	26	201	126
75/90	30	75	160	215	135	160	185	10	14	80	85	87	2,5	66	19	40	5	30	229	144
90/100	40	90	200	260	160	200	225	12	14	100	100	102	3	80	20	45	5,5	34	265	165
100/110	45	115	225	285	180	225	250	12	14	113	110	112	4	85	25	50	6	38	295	185
110/125	55	125	255	330	200	255	290	12	18	127	120	122	4	94	26	55	6,5	42	321	201
125/145	55	145	290	370	230	290	325	16	18	147	140	142	5	110	30	60	7	46	370	230

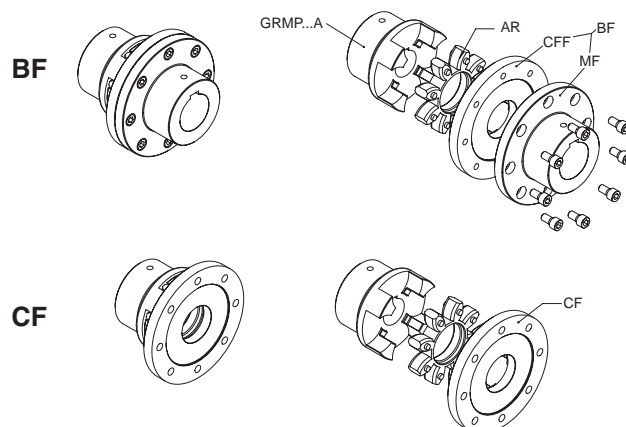
Valid bore for “P” execution.

### Order form

Shaft side flange “BF” execution  
Type  
GRF BF 48

For hub “GR” order form please see TRASCO® GR base program

Ring side flange “BF” and “CF” execution  
Type  
GRF CF 48



Nr Number of screws