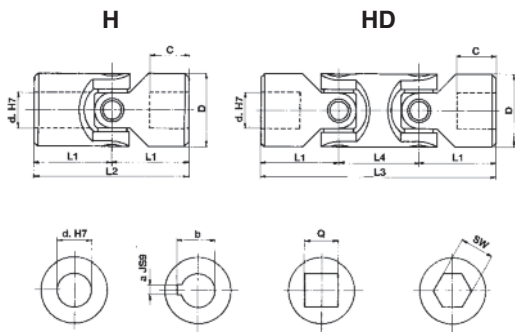


# High speed precision joints with needle roller bearings

## Series “H” (DIN 808)

- Roller bearings lubricated for life. No maintenance required.
- Precise and versatile, silent and smooth running; wide application field.
- Max. angle: 45° type “H”, 90° type “HD”, max. speed 4.000 rpm.
- Special executions upon request.



Type	Type	d [mm]	D [mm]	L2 [mm]	L1 [mm]	C [mm]	L4 [mm]	L3 [mm]	a [mm]	b [mm]	Q [mm]	SW [mm]	Weight [kg]	
													H	HD
GU03H	GU03HD	10	22	48	24	12	26	74	3	11,4	10	10	0,10	0,15
GU04H	GU04HD	12	25	56	28	13	30	86	4	13,8	12	12	0,16	0,25
GU05H	GU05HD	14	28	60	30	14	36	96	5	16,3	14	14	0,20	0,40
GU1H	GU1HD	16	32	68	34	16	36	104	5	18,3	16	16	0,30	0,45
GU2H	GU2HD	18	36	74	37	17	40	114	6	20,8	18	18	0,45	0,70
GU3H	GU3HD	20	42	82	41	18	46	128	6	22,8	20	20	0,60	1,00
GU4H	GU4HD	22	45	95	47,5	22	50	145	6	24,8	22	22	0,95	1,55
GU5H	GU5HD	25	50	108	54	26	55	163	8	28,3	25	25	1,20	2,00
GU6H	GU6HD	30	58	122	61	29	68	190	8	33,3	30	30	1,85	2,90
GU6H1	GU6HD1	32	58	130	65	33	68	198	10	35,3	30	30	2,00	3,00
GU7H	GU7HD	35	70	140	70	35	72	212	10	38,3	••	••	3,15	4,75
GU8H	GU8HD	40	80	160	80	39	85	245	12	43,3	••	••	4,60	7,20
GU9H	GU9HD	50	95	190	95	46	100	290	14	53,8	••	••	7,60	12,00

DIN 808

Type	Type	d [mm]	D [mm]	L2 [mm]	L1 [mm]	C [mm]	L4 [mm]	L3 [mm]	a [mm]	b [mm]	Q [mm]	SW [mm]	Weight [kg]	
													HB	HBD
GU04HB	GU04HBD	12	22	62	31	18	26	88	4	13,8	10	10	0,12	0,20
GU1HB	GU1HBD	16	25	74	37	21	30	104	5	18,3	12	12	0,20	0,30
GU3HB	GU3HBD	20	32	86	43	24	38	124	6	22,8	16	16	0,35	0,50
GU5HB	GU5HBD	25	42	108	54	31	48	156	8	28,3	20	20	0,80	1,20
GU6HB	GU6HBD	30	50	132	66	38	56	188	8	33,3	25	25	1,20	1,70
GU8HB	GU8HBD	40	70	166	83	47	72	238	12	43,3	••	••	2,90	4,30

DIN 808/7551

•• = upon request

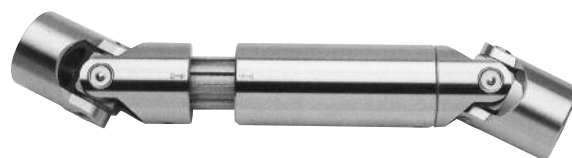
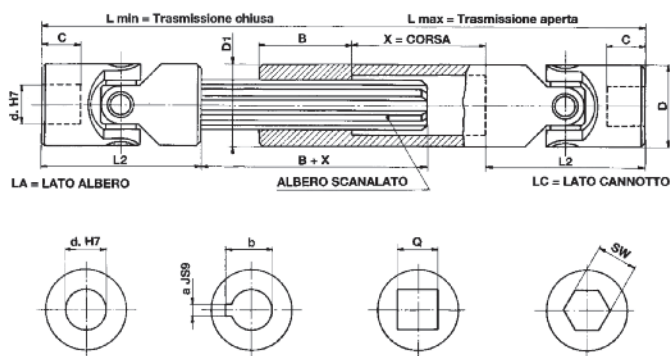
# Extensible transmissions high speed

## Series "H" (DIN 808)

- High speed joints series "H", type "HA", with needle roller bearings.
- Min. and max. length upon request: rpm.

$$L_{MIN} \geq \frac{L_{MAX} + 2 L_2 + B}{2} \qquad \text{Corsa } X \leq \frac{L_{MAX} - 2 L_2 - B}{2}$$

- Special executions on request.



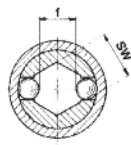
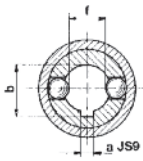
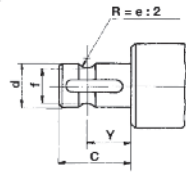
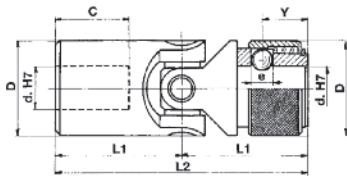
Typo	d [mm]	D [mm]	L2 [mm]	C [mm]	Lmin [mm]	Lmax [mm]	X [mm]	B [mm]	a [mm]	b [mm]	Q [mm]	SW [mm]	Albero	D1 [mm]			
GU03HA	10	22	48	12	upon request			30	3	11,4	10	10	11 x 14 Z6	22			
GU04HA	12	25	56	13				40	4	13,8	12	12	13 x 16 Z6	12	13 x 16 Z6	26	
GU05HA	14	28	60	14				40	5	16,3	14	14	13 x 16 Z6	14	13 x 16 Z6	29	
GU1HA	16	32	68	16				40	5	18,3	16	16	16 x 20 Z6	16	16 x 20 Z6	32	
GU2HA	18	36	74	17				40	6	20,8	18	18	18 x 22 Z6	18	18 x 22 Z6	37	
GU3HA	20	42	82	18				45	6	22,8	20	20	21 x 25 Z6	20	21 x 25 Z6	42	
GU4HA	22	45	95	22				45	6	24,8	22	22	23 x 28 Z6	22	23 x 28 Z6	47	
GU5HA	25	50	108	26				45	8	28,3	25	25	26 x 32 Z6	25	26 x 32 Z6	52	
GU6HA	30	58	122	29				50	8	33,3	30	30	32 x 38 Z8	30	32 x 38 Z8	58	
GU7HA	35	70	140	35				70	10	38,3	••	••	36 x 42 Z8	••	••	36 x 42 Z8	70
GU8HA	40	80	160	40				80	12	43,3	••	••	42 x 48 Z8	••	••	42 x 48 Z8	80
GU9HA	50	95	190	50				90	14	53,8	••	••	46 x 54 Z8	••	••	46 x 54 Z8	95

Typo	d [mm]	D [mm]	L2 [mm]	C [mm]	Lmin [mm]	Lmax [mm]	X [mm]	B [mm]	a [mm]	b [mm]	Q [mm]	SW [mm]	Albero	D1 [mm]		
GU04HBA	12	22	62	18	upon request			30	4	13,8	10	10	11 x 14 Z6	22		
GU1HBA	16	25	74	21				40	5	18,3	12	12	13 x 16 Z6	12	13 x 16 Z6	26
GU3HBA	20	32	86	24				40	6	22,8	16	16	16 x 20 Z6	16	16 x 20 Z6	32
GU5HBA	25	42	108	31				45	8	28,3	20	20	21 x 25 Z6	20	21 x 25 Z6	42
GU6HBA	30	50	132	38				45	8	33,3	25	25	26 x 32 Z6	25	26 x 32 Z6	52
GU8HBA	40	70	166	47				70	12	43,3	••	••	36 x 42 Z8	••	••	36 x 42 Z8

•• = upon request

## Precision joints Series “ER” (sliding bushes) - “HR” (needle roller bearings)

- Type “ER”: max. speed 1.000 rpm.
- Type “HR”: max. speed 4.000 rpm.
- Max. angle 45°.



ER



HR

Type	Type	d [mm]	D [mm]	L2 [mm]	L1 [mm]	C [mm]	Y [mm]	e [mm]	f [mm]	a [mm]	b [mm]	SW [mm]
GU02ER	-	8	16	52	26	14	9,5	3,5	6,3	2	9	8
GU03ER	GU03HR	10	22	62	31	17	11,5	4	8,7	3	11	10
GU04ER	GU04HR	12	25	74	37	21	13,5	4	11	4	13,3	12
GU05ER	GU05HR	14	25	74	37	21	13,5	4	13	5	15,3	14
GU1ER	GU1HR	16	32	86	43	24	14	6,35	14,8	5	17,3	16
GU2ER	GU2HR	18	36	96	48	28	19	8	16	6	19,8	18
GU3ER	GU3HR	20	42	108	54	31	19	8	18	6	22,8	20
GU4ER	GU4HR	22	45	120	60	34	20,5	10	20	6	24,8	22
GU5ER	GU5HR	25	50	132	66	38	20,5	10	23	8	28,3	25
GU6ER	GU6HR	30	58	166	83	49	25	10	28	8	33,3	30