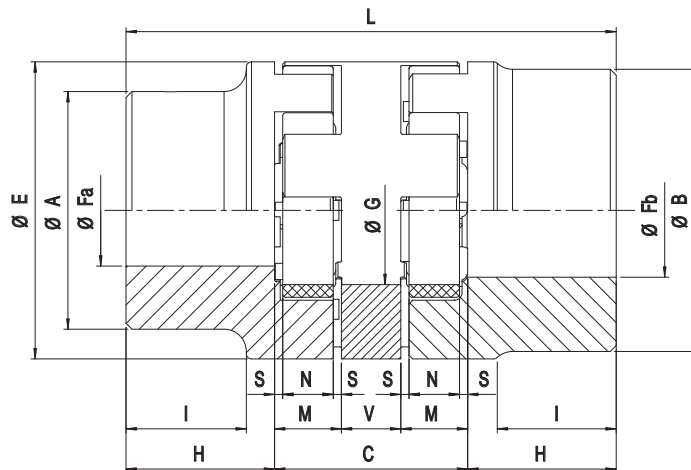


“GRS” double cardanic series

It allows compensation of high axial, radial and angular misalignment. Moreover, the use of the double spider allows for

double the torsion angle and provides very high dampening effect.



Type	Fa [mm]	Fb [mm]	H [mm]	V [mm]	C [mm]	M [mm]	S [mm]	N [mm]	L [mm]	E [mm]	A [mm]	B [mm]	G [mm]	ΔK_r [mm]	ΔK_w [°]
24/32	9 - 24	11 - 32	30	16	52	18	2	14	112	55	40	55	27	0,89	1°30'
28/38	9 - 28	11 - 38	35	18	58	20	2,5	15	128	65	48	65	30	1	
38/45	11 - 38	13 - 45	45	20	68	24	3	18	158	80	66	80	38	1,15	
42/55	11 - 42	13 - 55	50	22	74	26	3	20	174	95	75	95	46	1,26	
48/60	13 - 48	13 - 60	56	24	80	28	3,5	21	192	105	85	105	51	1,36	
55/70	16 - 55	16 - 70	65	28	88	30	4	22	218	120	98	120	60	1,52	
65/75	16 - 65	16 - 75	75	32	102	35	4,5	26	252	135	115	135	68	1,75	
75/90	16 - 75	16 - 90	85	36	116	40	5	30	286	160	135	160	80	2	
90/100	21 - 90	21 - 100	100	40	130	45	5,5	34	330	200	160	180	100	2,5	

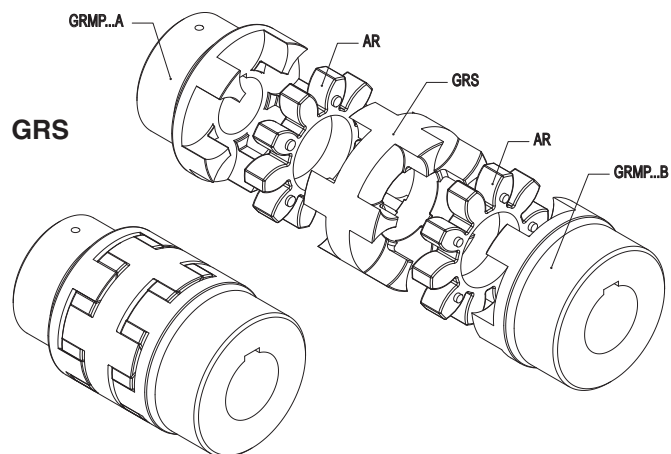
Valid bore for “P” execution

Order form

For hub “GR” order form please see TRASCO® GR base program



GRS 48/60



F _a	Bore of hub “A”	mm
F _b	Bore of hub “B”	mm
ΔK_r	Maximum radial misalignment	mm
ΔK_w	Maximum angular misalignment	°