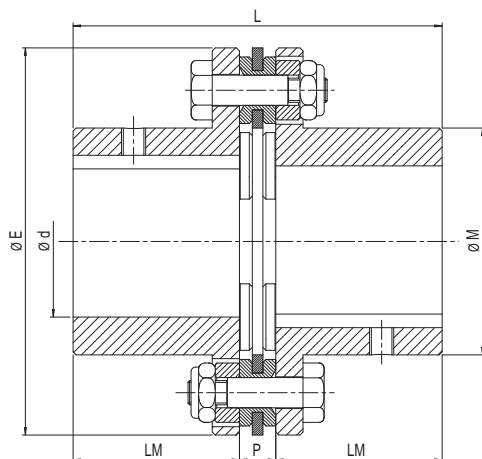


METALDRIVE® GMD type “S”

Standard version with single disc pack. The coupling allows axial and angular misalignment. No radial misalignment is allowed.



Type	Dimensions [mm]						Screws		
	d max	E	M	LM	P	L	n°	Type	Tightening torque Ms [Nm]
32	32	80	45	40	8	88	6	M5	8,5
38	38	92	53	45	8	98	6	M5	8,5
45	45	112	64	45	10	100	6	M6	14
52	52	136	75	55	12	122	6	M8	35
65	65	162	92	65	13	143	6	M10	69
80	80	182	112	80	14	174	6	M10	69
90	90	206	130	80	15	175	6	M12	120
95	95	226	135	90	22	202	6	M14	190
110	110	252	155	100	25	225	6	M16	295
120	120	296	170	110	32	252	6	M24	1000
138	138	318	195	140	32	312	6	M24	1000
155	155	352	218	150	32	332	8	M24	1000
175	175	386	252	175	37	387	8	M27	1500
190	190	426	272	190	37	417	8	M30	2000
205	205	456	292	205	42	452	8	M33	2450

Order form

