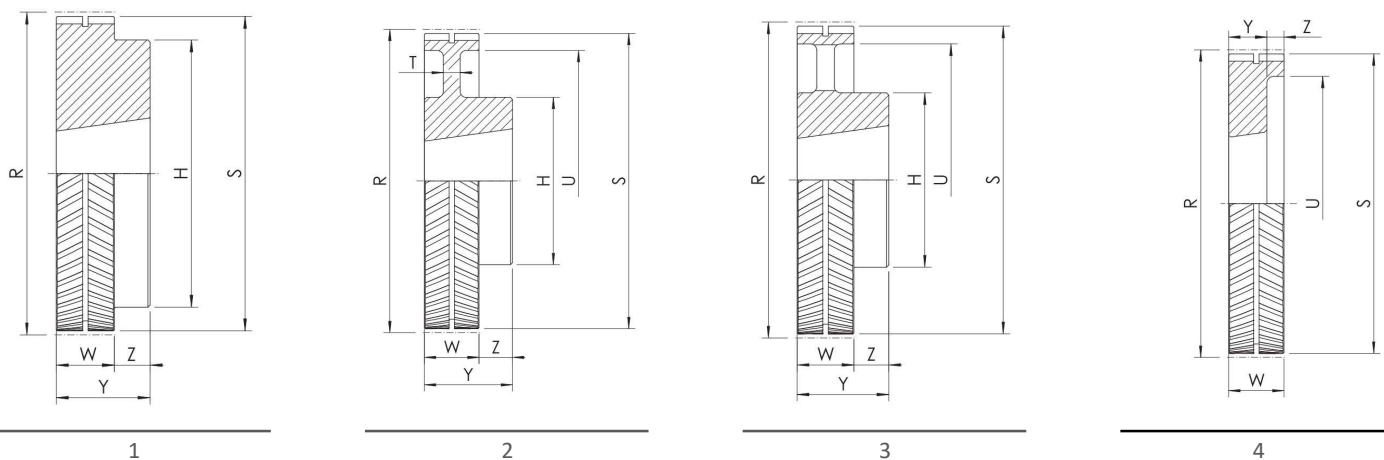


Blue B/35



Artikel	Zähne	Typ	SER-SIT®	R	S	U	H	W	Y	Z	-	Material
PBEB-28S-2012	28	4	2012	121.99	-	82	-	37	32	8	-	Stahl
PBEB-30S-2517	30	1	2517	130.90	-	-	114	37	45	8	-	Stahl
PBEB-32S-2517	32	1	2517	139.81	-	-	123	37	45	8	-	Stahl
PBEB-34S-2517	34	1	2517	148.73	-	-	132	37	45	8	-	Stahl
PBEB-36S-3020	36	1	3020	157.64	-	-	141	37	51	14	-	Stahl
PBEB-38S-3020	38	1	3020	166.55	-	-	150	37	51	14	-	Stahl
PBEB-40S-3020	40	1	3020	175.46	-	-	159	37	51	14	-	Stahl
PBEB-43S-3020	43	1	3020	188.83	-	-	172	37	51	14	-	Stahl
PBEB-45S-3020	45	1	3020	197.75	-	-	181	37	51	14	-	Stahl
PBEB-48S-3020	48	1	3020	211.12	-	-	195	37	51	14	-	Stahl
PBEB-50S-3020	50	2	3020	220.03	185	180	150	37	51	14	-	Guss
PBEB-56S-3020	56	2	3020	246.77	212	207	150	37	51	14	-	Guss
PBEB-60S-3020	60	2	3020	264.59	230	225	150	37	51	14	-	Guss
PBEB-63S-3020	63	2	3020	277.96	243	2237	150	37	51	14	-	Guss
PBEB-71S-3020	71	2	3020	313.62	279	274	150	37	51	14	-	Guss
PBEB-75S-3020	75	2	3020	331.44	296	291	150	37	51	14	-	Guss
PBEB-80S-3020	80	2	3020	353.72	319	314	150	37	51	14	-	Guss
PBEB-90S-3020	90	2	3020	398.29	358	358	150	37	51	14	-	Guss
PBEB-112S-3020	112	3	3020	496.33	456	456	150	37	51	14	-	Guss
PBEB-140S-3020	140	3	3020	621.11	581	581	150	37	51	14	-	Guss
PBEB-168S-3020	168	3	3020	745.89	706	706	150	37	51	14	-	Guss