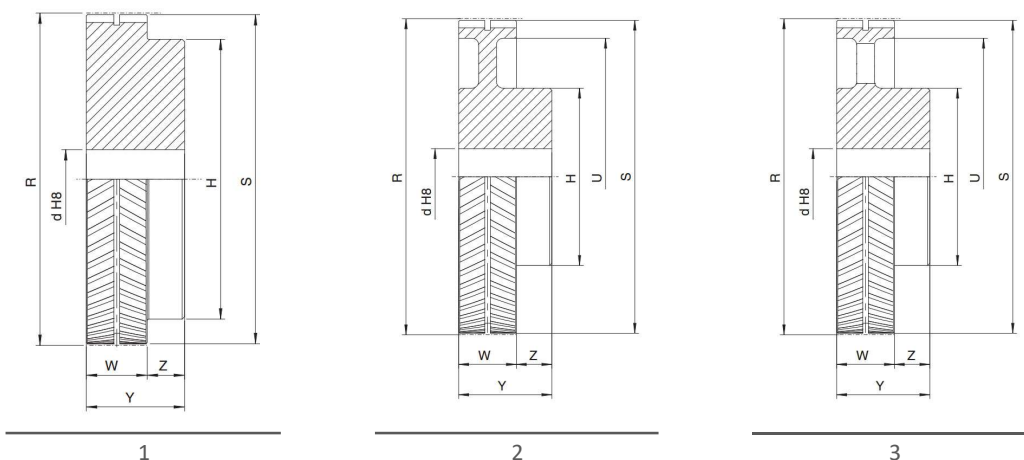


Green G/52.5



Artikel	Zähne	Typ	R	S	U	H	d	W	Y	Z	max Ø	Material
PEG-28S-MPB	28	1	124.78	121.99	-	109	25.4	54.5	74.5	20	73	Stahl
PEG-30S-MPB	30	1	133.69	130.90	-	117.5	25.4	54.5	74.5	20	78	Stahl
PEG-32S-MPB	32	1	142.61	139.81	-	126.5	25.4	54.5	74.5	20	84	Stahl
PEG-34S-MPB	34	1	151.52	148.73	-	135.5	25.4	54.5	74.5	20	90	Stahl
PEG-36S-MPB	36	1	160.43	157.64	-	141	25.4	54.5	70.5	16	94	Stahl
PEG-38S-MPB	38	1	169.35	166.55	-	150	25.4	54.5	70.5	16	100	Stahl
PEG-40S-MPB	40	1	178.26	175.46	-	159	25.4	54.5	70.5	16	106	Stahl
PEG-43S-MPB	43	1	191.63	188.83	-	172	25.4	54.5	70.5	16	115	Stahl
PEG-45S-MPB	45	1	200.54	197.75	-	181	25.4	54.5	70.5	16	121	Stahl
PEG-48S-MPB	48	1	213.91	211.12	-	195	25.4	54.5	70.5	16	130	Stahl
PEG-50S-MPB	50	2	222.82	220.03	185	150	25.4	54.5	70.5	16	100	Guss
PEG-56S-MPB	56	2	249.56	246.77	212	150	25.4	54.5	70.5	16	100	Guss
PEG-60S-MPB	60	2	267.39	264.59	230	150	25.4	54.5	70.5	16	100	Guss
PEG-63S-MPB	63	2	280.76	277.96	243	150	25.4	54.5	70.5	16	100	Guss
PEG-71S-MPB	71	2	316.41	313.62	279	150	25.4	54.5	70.5	16	100	Guss
PEG-75S-MPB	75	2	334.24	331.44	296	150	25.4	54.5	70.5	16	100	Guss
PEG-80S-MPB	80	2	356.52	353.72	319	150	25.4	54.5	70.5	16	100	Guss
PEG-90S-MPB	90	2	401.08	398.29	358	180	25.4	54.5	70.5	16	120	Guss
PEG-112S-MPB	112	3	499.12	496.33	456	180	25.4	54.5	70.5	16	120	Guss
PEG-140S-MPB	140	3	623.91	621.11	581	200	25.4	54.5	70.5	16	133	Guss
PEG-168S-MPB	168	3	748.69	745.89	706	200	25.4	54.5	70.5	16	133	Guss