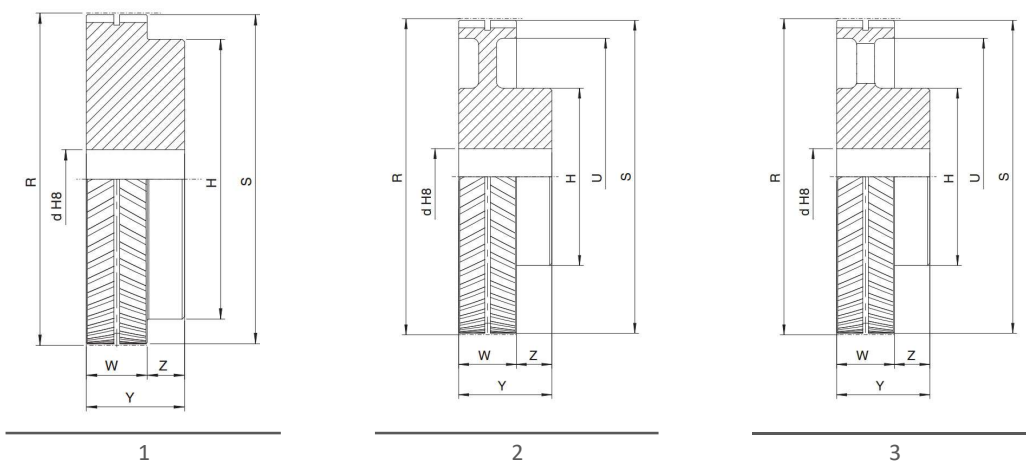


Orange O/70



Artikel	Zähne	Typ	R	S	U	H	d	W	Y	Z	max Ø	Material
PEO-28S-MPB	28	1	124.78	121.99	-	109	25.4	72	92	20	73	Stahl
PEO-30S-MPB	30	1	133.69	130.90	-	117.5	25.4	72	92	20	78	Stahl
PEO-32S-MPB	32	1	142.61	139.81	-	126.5	25.4	72	98	26	84	Stahl
PEO-34S-MPB	34	1	151.52	148.73	-	135.5	25.4	72	98	26	90	Stahl
PEO-36S-MPB	36	1	160.43	157.64	-	144	25.4	72	98	26	95	Stahl
PEO-38S-MPB	38	1	169.35	166.55	-	153	25.4	72	98	26	101	Stahl
PEO-40S-MPB	40	1	178.26	175.46	-	162	25.4	72	98	26	107	Stahl
PEO-43S-MPB	43	1	191.63	188.83	-	174	25.4	72	88	16	116	Stahl
PEO-45S-MPB	45	1	200.54	197.75	-	183	25.4	72	88	16	122	Stahl
PEO-48S-MPB	48	1	213.91	211.12	-	197	25.4	72	88	16	131	Stahl
PEO-50S-MPB	50	1	222.82	220.03	-	205	25.4	72	88	16	137	Stahl
PEO-56S-MPB	56	1	249.56	246.77	-	230	25.4	72	88	16	153	Stahl
PEO-60S-MPB	60	2	267.39	264.59	230	150	25.4	72	88	16	100	Guss
PEO-63S-MPB	63	2	280.76	277.96	243	150	25.4	72	88	16	100	Guss
PEO-71S-MPB	71	2	316.41	313.62	279	150	25.4	72	88	16	100	Guss
PEO-75S-MPB	75	2	334.24	331.44	296	180	25.4	72	88	16	120	Guss
PEO-80S-MPB	80	2	356.52	353.72	319	180	25.4	72	88	16	120	Guss
PEO-90S-MPB	90	2	401.08	398.29	358	200	25.4	72	88	16	133	Guss
PEO-112S-MPB	112	3	499.12	496.33	456	200	25.4	72	88	16	133	Guss
PEO-140S-MPB	140	3	623.91	621.11	581	220	25.4	72	88	16	147	Guss
PEO-168S-MPB	168	3	748.69	745.89	706	220	25.4	72	88	16	147	Guss