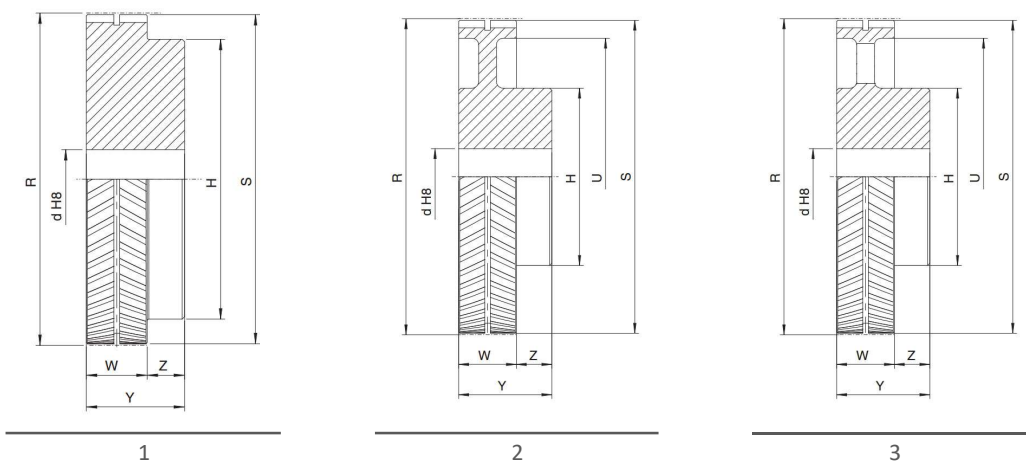


Red R/105



Artikel	Zähne	Typ	R	S	U	H	d	W	Y	Z	max Ø	Material
PER-28S-MPB	28	1	124.78	121.99	-	109	25.4	107	133	26	73	Stahl
PER-30S-MPB	30	1	133.69	130.90	-	117.5	25.4	107	133	26	78	Stahl
PER-32S-MPB	32	1	142.61	139.81	-	126.5	25.4	107	133	26	84	Stahl
PER-34S-MPB	34	1	151.52	148.73	-	135.5	25.4	107	133	26	90	Stahl
PER-36S-MPB	36	1	160.43	157.64	-	144	25.4	107	133	26	96	Stahl
PER-38S-MPB	38	1	169.35	166.55	-	153	25.4	107	133	26	102	Stahl
PER-40S-MPB	40	1	178.26	175.46	-	162	25.4	107	133	26	108	Stahl
PER-43S-MPB	43	1	191.63	188.83	-	174	25.4	107	133	26	117	Stahl
PER-45S-MPB	45	1	200.54	197.75	-	183	25.4	107	123	16	122	Stahl
PER-48S-MPB	48	1	213.91	211.12	-	197	25.4	107	123	16	131	Stahl
PER-50S-MPB	50	1	222.82	220.03	-	205	25.4	107	123	16	137	Stahl
PER-56S-MPB	56	1	249.56	246.77	-	230	25.4	107	123	16	153	Stahl
PER-60S-MPB	60	2	267.39	264.59	230	180	25.4	107	123	16	120	Guss
PER-63S-MPB	63	2	280.76	277.96	243	180	25.4	107	123	16	120	Guss
PER-71S-MPB	71	2	316.41	313.62	279	200	25.4	107	123	16	133	Guss
PER-75S-MPB	75	2	334.24	331.44	296	200	25.4	107	123	16	133	Guss
PER-80S-MPB	80	2	356.52	353.72	319	200	25.4	107	123	16	133	Guss
PER-90S-MPB	90	2	401.08	398.29	358	220	25.4	107	123	16	147	Guss
PER-112S-MPB	112	3	499.12	496.33	456	220	25.4	107	123	16	147	Guss
PER-140S-MPB	140	3	623.91	621.11	581	240	25.4	107	123	16	160	Guss
PER-168S-MPB	168	3	748.69	745.89	706	240	25.4	107	123	16	160	Guss