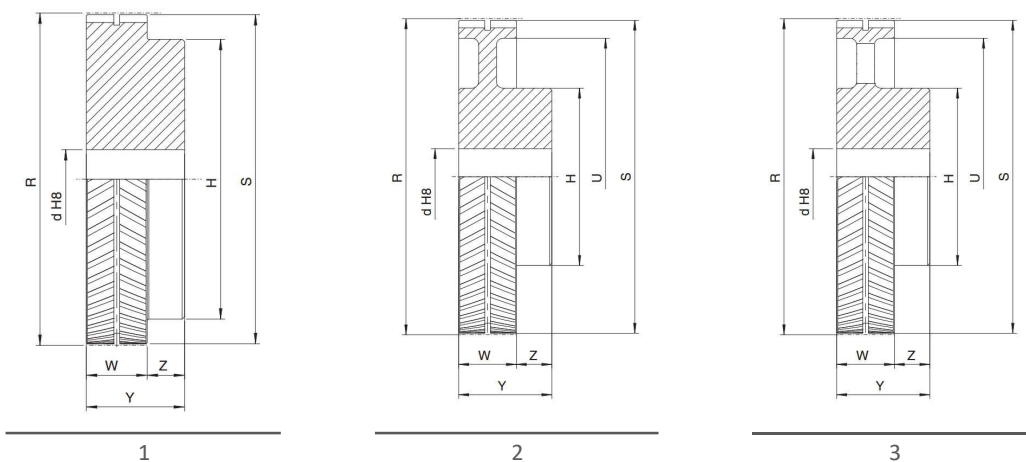


Yellow Y/16



Artikel	Zähne	Typ	R	S	U	H	d	W	Y	Z	max Ø	Material
PEY-18S-MPB	18	1	45.84	44.47	-	38.4	12.7	17	27	10	26	Stahl
PEY-20S-MPB	20	1	50.93	49.56	-	40.7	12.7	17	29	12	27	Stahl
PEY-22S-MPB	22	1	56.02	54.65	-	45.9	12.7	17	29	12	31	Stahl
PEY-24S-MPB	24	1	61.12	59.75	-	51	12.7	17	33	16	34	Stahl
PEY-25S-MPB	25	1	63.66	62.29	-	53.5	12.7	17	33	16	36	Stahl
PEY-26S-MPB	26	1	66.21	64.84	-	57.8	12.7	17	33	16	39	Stahl
PEY-28S-MPB	28	1	71.30	69.93	-	61	12.7	17	33	16	41	Stahl
PEY-30S-MPB	30	1	76.40	75.03	-	67	12.7	17	33	16	45	Stahl
PEY-32S-MPB	32	1	81.49	80.12	-	72	12.7	17	33	16	48	Stahl
PEY-34S-MPB	34	1	86.58	85.21	-	77	12.7	17	33	16	51	Stahl
PEY-36S-MPB	36	1	91.68	90.30	-	82	12.7	17	33	16	55	Stahl
PEY-38S-MPB	38	1	96.77	95.40	-	87	12.7	17	33	16	58	Stahl
PEY-40S-MPB	40	1	101.86	100.49	-	92	12.7	17	33	16	62	Stahl
PEY-44S-MPB	44	1	112.05	110.68	-	102	12.7	17	33	16	68	Stahl
PEY-45S-MPB	45	1	114.59	113.22	-	105	12.7	17	33	16	70	Stahl
PEY-48S-MPB	48	1	122.23	120.86	-	112	12.7	17	33	16	75	Stahl
PEY-50S-MPB	50	1	127.33	125.96	-	118	12.7	17	33	16	79	Stahl
PEY-52S-MPB	52	1	132.42	131.05	-	123	12.7	17	33	16	82	Stahl
PEY-56S-MPB	56	1	142.61	141.24	-	133	12.7	17	33	16	89	Stahl
PEY-60S-MPB	60	1	152.79	151.42	-	143	12.7	17	33	16	96	Guss
PEY-63S-MPB	63	2	160.43	159.06	139	110	12.7	17	33	16	73	Guss
PEY-64S-MPB	64	2	162.98	161.61	142	110	12.7	17	33	16	74	Guss
PEY-68S-MPB	68	2	173.17	171.79	152	110	12.7	17	33	16	74	Guss
PEY-72S-MPB	72	2	183.35	181.98	162	110	12.7	17	33	16	74	Guss
PEY-75S-MPB	75	2	190.99	189.62	170	110	12.7	17	33	16	73	Guss
PEY-76S-MPB	76	2	193.54	192.17	172	110	12.7	17	33	16	74	Guss
PEY-80S-MPB	80	2	203.72	202.35	182	110	12.7	17	33	16	73	Guss
PEY-90S-MPB	90	2	229.19	227.82	208	110	25.4	17	33	16	73	Guss
PEY-112S-MPB	112	2	285.21	283.84	264	110	25.4	17	33	16	73	Guss
PEY-140S-MPB	140	2	356.52	355.15	335	110	25.4	17	33	16	73	Guss
PEY-180S-MPB	180	3	458.38	457.01	433	150	25.4	17	33	16	100	Guss
PEY-224S-MPB	224	3	570.43	569.06	545	150	25.4	17	33	16	100	Guss