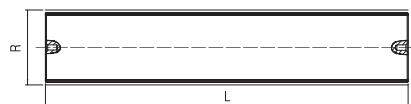
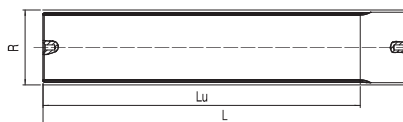


## Types 3M - 5M - 8M

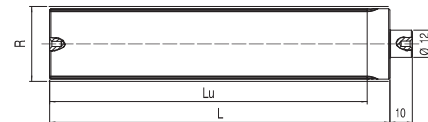
Les barreaux dentés "TOP DRIVE® HTD" sont en aluminium 6082 adapté aux traitements d'anodisation dure.



1



2



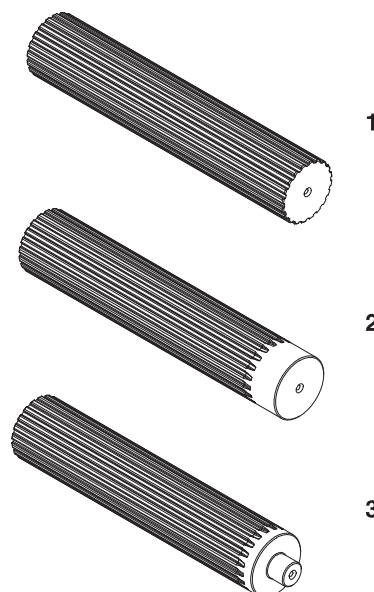
3

## Dimensions

HTD 3M pas 3 mm					
ALUMINUM					
Code	Nb de dents.	Type	R [mm]	Lu [mm]	L [mm]
BAR9-3M*	9	3	8,59	75	100
BAR10-3M	10	3	9,55	75	100
BAR11-3M*	11	3	10,50	75	100
BAR12-3M	12	3	11,46	100	125
BAR13-3M*	13	3	12,41	100	125
BAR14-3M	14	3	13,37	100	125
BAR15-3M	15	3	14,32	100	125
BAR16-3M	16	3	15,28	125	155
BAR17-3M*	17	3	16,23	125	155
BAR18-3M	18	3	17,19	125	155
BAR19-3M*	19	3	18,14	125	155
BAR20-3M	20	3	19,10	150	165
BAR21-3M	21	3	20,05	150	165
BAR22-3M	22	3	21,01	150	165
BAR23-3M*	23	3	21,96	150	165
BAR24-3M	24	3	22,92	150	165
BAR25-3M*	25	3	23,87	150	165
BAR26-3M	26	3	24,83	150	165
BAR27-3M*	27	3	25,78	150	165
BAR28-3M	28	3	26,74	150	165
BAR29-3M*	29	3	27,69	150	165
BAR30-3M	30	3	28,65	175	183
BAR31-3M*	31	3	29,60	175	183
BAR32-3M	32	3	30,56	175	183
BAR33-3M*	33	3	31,51	175	183
BAR34-3M	34	3	32,47	175	183
BAR35-3M*	35	3	33,42	175	183
BAR36-3M	36	3	34,38	200	200
BAR37-3M*	37	3	35,33	200	200
BAR38-3M	38	3	36,29	200	200
BAR39-3M*	39	3	37,24	200	200
BAR40-3M	40	3	38,20	200	200
BAR42-3M*	42	3	40,11	200	200
BAR44-3M	44	3	42,02	200	200
BAR45-3M*	45	3	42,97	200	200
BAR48-3M	48	3	45,84	200	200
BAR50-3M*	50	3	47,75	200	200
BAR52-3M*	52	3	49,66	200	200
BAR54-3M*	54	3	51,57	200	200
BAR56-3M*	56	3	53,48	200	200
BAR60-3M	60	3	57,30	200	200
BAR62-3M*	62	3	59,21	200	200
BAR64-3M*	64	3	61,12	200	200
BAR66-3M*	66	3	63,03	200	200
BAR68-3M*	68	3	64,94	200	200
BAR70-3M*	70	3	66,85	200	200
BAR72-3M*	72	3	68,75	200	200

HTD 5M pas 5 mm					
ALUMINUM					
Code	Nb de dents.	Type	R [mm]	Lu [mm]	L [mm]
BAR12-5M	12	2	19,10	150	165
BAR13-5M	13	2	20,69	150	165
BAR14-5M*	14	2	22,28	175	183
BAR15-5M	15	2	23,87	175	183
BAR16-5M	16	2	25,46	175	183
BAR17-5M	17	2	27,06	175	183
BAR18-5M	18	1	28,65	200	200
BAR19-5M	19	1	30,24	200	200
BAR20-5M	20	1	31,83	200	200
BAR21-5M	21	1	33,42	200	200
BAR22-5M	22	1	35,01	200	200
BAR23-5M	23	1	36,61	200	200
BAR24-5M	24	1	38,20	200	200
BAR25-5M	25	1	39,79	200	200
BAR26-5M	26	1	41,38	200	200
BAR27-5M	27	1	42,97	200	200
BAR28-5M	28	1	44,56	200	200
BAR29-5M	29	1	46,15	200	200
BAR30-5M	30	1	47,75	200	200
BAR31-5M	31	1	49,34	200	200
BAR32-5M	32	1	50,93	200	200
BAR33-5M	33	1	52,52	200	200
BAR34-5M	34	1	54,11	200	200
BAR35-5M	35	1	55,70	200	200
BAR36-5M	36	1	57,30	200	200
BAR38-5M	38	1	60,48	200	200
BAR40-5M	40	1	63,66	200	200
BAR42-5M	42	1	66,85	200	200
BAR44-5M	44	1	70,03	200	200
BAR45-5M	45	1	71,62	200	200
BAR46-5M	46	1	73,21	200	200
BAR48-5M	48	1	76,39	200	200
BAR50-5M	50	1	79,58	200	200
BAR54-5M	54	1	85,94	200	200
BAR60-5M	60	1	95,49	200	200
BAR62-5M	62	1	98,68	200	200
BAR72-5M	72	1	114,59	200	200

HTD 8M pas 8 mm					
ALUMINUM					
Code	Nb de dents.	Type	R [mm]	Lu [mm]	L [mm]
BAR18-8M	18	1	45,84	200	200
BAR19-8M	19	1	48,38	200	200
BAR20-8M	20	1	50,93	200	200
BAR21-8M	21	1	53,48	200	200
BAR22-8M	22	1	56,02	200	200
BAR23-8M	23	1	58,57	200	200
BAR24-8M	24	1	61,12	200	200
BAR25-8M	25	1	63,66	200	200
BAR26-8M	26	1	66,21	200	200
BAR28-8M	28	1	71,30	200	200
BAR30-8M	30	1	76,39	200	200
BAR32-8M	32	1	81,49	200	200
BAR34-8M	34	1	86,58	200	200
BAR35-8M	35	1	89,13	200	200
BAR36-8M	36	1	91,67	200	200
BAR38-8M	38	1	96,77	200	200
BAR40-8M	40	1	101,86	200	200
BAR44-8M	44	1	112,05	200	200
BAR48-8M	48	1	122,23	200	200



Désignation **BAR 25 - 5M / AL**

Barre dentée

Nombre de dents

Pas

Matière - AL: aluminium

\*= disponible sur demande